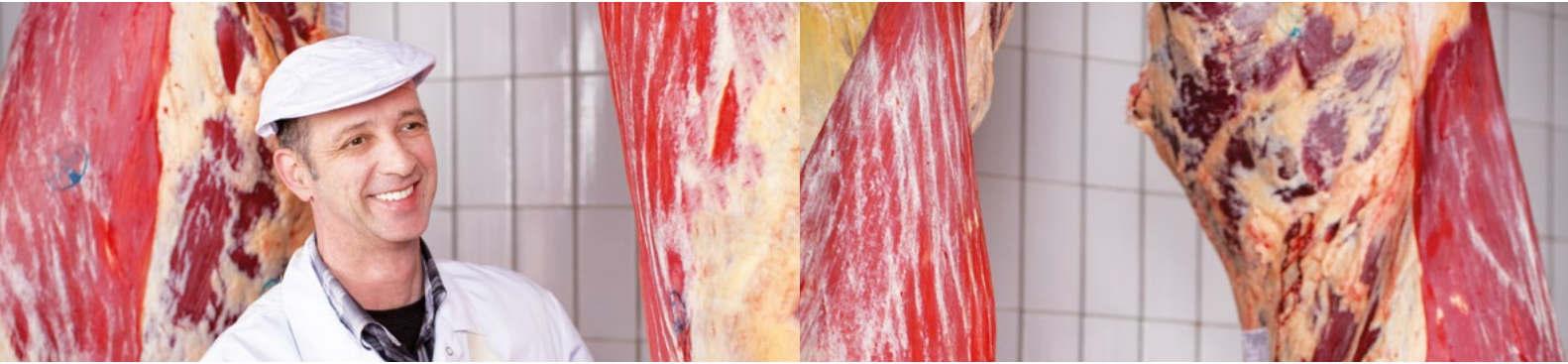


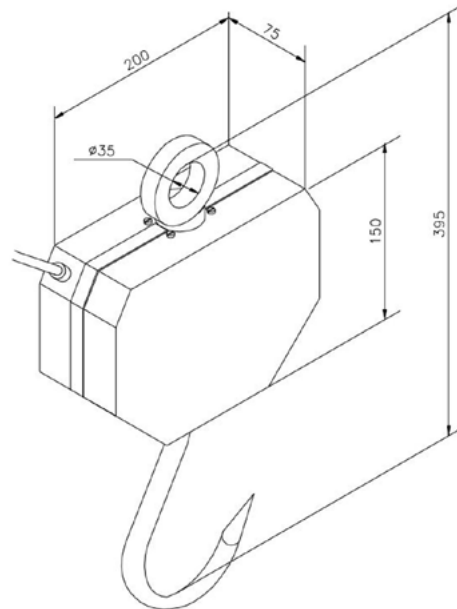
Mobile Meat hook scales 2820 / 7760



Hunters, who can weigh the shot game directly on site, appreciate the hook scale just as much as anglers, authorities or colleagues in the processing department. Furthermore, the scales can be used for all mobile applications. For example for weighing big bags or other hanging objects.



Terminal 3010



The meat hook scale is ideal for mobile use in the food industry. The scale is completely made of stainless steel and can therefore be cleaned professionally. The scale is operated via the connected Terminal 3010 with integrated rechargeable battery. Via 10 keys the functions weighing, taring, hold etc. can be easily operated. The meat hook scale can be used with all Soehnle Professional Terminals can be combined.

Features

- ▶ For mobile use
- ▶ Protection class IP 65
- ▶ Calibratable class III
- ▶ Own weight of the hook scale: 2,65 kg
- ▶ Dimensions: 200 x 75 x 395 mm
- ▶ The meat hook scale is permanently connected to the terminal 3010 via a 3 m long connection cable.

Order number	Version	Maximum load kg	Division g	Price € net*	Calibration € net*
2820.20.001	Meat hook scale	150	50	595,00	82,00
2820.20.002	Meat hook scale	300	100	595,00	82,00
7760.20.001	Meat hook scale incl. terminal 3010	150	50	995,00	82,00
7760.20.002	Meat hook scale incl. terminal 3010	300	100	995,00	82,00

Prices plus VAT and shipping costs.

Soehnle Industrial Solutions GmbH

Gaildorfer Straße 6 Telefon +49 7191/34 53-220
71522 Backnang E-Mail info@sis.gmbh